



Lightolier 3D Printed Low Bay, BAL Series allows for a multitude different combinations, tailored to seamlessly match any indoor environment. No ceiling? No problem. Bringing glare control of downlights to open ceilings with plenty of options. Create dynamic new decorative styles for your projects by selecting from a variety of polycarbonate materials and visually rich surface textures. Unleash your inner creator and select from the many options these Low Bays have to offer, unlike any other on the market.

Project: _____
 Location: _____
 Cat.No: _____
 Type: _____
 Qty: _____
 Notes: _____

Fixture

example: 3DPI LB L WHST LF BSST SR 10L DF 27K CO WH

Series	Outer Color	Outer Texture	Inner Color	Inner Texture	Lumens	Optics/Beams	CRI/CCT	Canopy types	Canopy colors
3DPI LB L Low Bay Large	Satin colors BKST Black BSST Brass BZST Bronze CAPP Cappuccino GYST Grey WHST White	For Satin outer shade LF Layered Fine NL Natural Lines For Transparent outer colors TC Tufted Coarse PY Pyramids HL Horizontal Lines WO Woven Oval	N None WHHR Glossy White (high reflective) BKST Satin Black BSST Satin Brass BZST Satin Bronze CAPP Satin Cappuccino GYST Satin Grey	N None SR Smooth BR Baffle FP Floral	10L 1000lm 15L 1500lm 20L 2000lm 27L 2700lm 38L 3800lm 45L 4500lm 60L 6000lm 75L 7500lm	MB Medium (25°) WB Wide (36°) VWB Very Wide (60°) DF Diffuse (84°) Note: If any of the three inner reflector options are chosen (SR/BR/FP), then the optic/Beam defaults to DF (Diffuse). Inner reflector reduces DF from 84° to 60°. All beams available when N is chosen for inner reflector.	27K 90 CRI /2700K 30K 90 CRI /3000K 35K 90 CRI /3500K 40K 90 CRI /4000K	CO Conical DI Disk	WH White mount BK Black mount #### Mounting in Shade Color (add color of your choice from the "Colors" above)
	Transparent colors CL Clear DIFF Diffuse GYSM Smokey Grey WHTL Translucent White				Note: Other combinations of attributes may be possible, please contact a member of the 3D Printing team. Most combinations are possible but will require a longer lead time to produce.				
3DPI LB S Low Bay Small	Satin colors BKST Black BSST Brass BZST Bronze CAPP Cappuccino GYST Grey WHST White	For Satin outer shade LF Layered Fine For Transparent outer colors TC Tufted Coarse	N None WHHR Glossy White (high reflective) BKST Satin Black BSST Satin Brass BZST Satin Bronze CAPP Satin Cappuccino GYST Satin Grey	N None SR Smooth Note: Optics will be 60° with the insert of a smooth reflector.	10L 1000lm 15L 1500lm 20L 2000lm 27L 2700lm 38L 3800lm	MB Medium 25° WB Wide 36° VWB Very Wide 60° DF Diffuse 84° Note: If SR smooth inner reflector is chosen (SR) then the optic/Beam defaults to DF (Diffuse) Inner reflector reduces DF from 84° to 60°. All beams available when N is chosen for inner reflector.	27K 90 CRI /2700K 30K 90 CRI /3000K 35K 90 CRI /3500K 40K 90 CRI /4000K	CO Conical DI Disk	WH White mount BK Black mount #### Mounting in Shade Color (add color of your choice from the "Colors" above)
	Transparent colors CL Clear DIFF Diffuse GYSM Smokey Grey WHTL Translucent White				Note: Other combinations of attributes may be possible, please contact a member of the 3D Printing team. Most combinations are possible but will require a longer lead time to produce.				

Note: If a different color, optics, or texture is needed, please contact a member of the 3D Printing team. Most combinations are possible but will require a longer lead time to produce. Different colors, textures and custom logo options are available upon request.



Unleash your inner creator

To configure your custom 3D printed luminaire, scan this QR Code with your smartphone's camera or visit us at: <https://www.3dprinted.lighting.lightolier.com/en/us/BA-Series/>

Declare.



interact ready.

BAL Series

3D Low Bay (large & small)

Features

- **Customizable:** choose from a vast multitude of colors, textures, shapes and style combinations.
- **Sustainable:** 3D Printed products produce less carbon emissions when compared to traditional, conventional luminaire manufacturing.
- **Domestic production:** Printed & assembled in Littlestown, PA.
- **Quick delivery:** Created on-demand and shipped in weeks.
- **Lightweight:** All models under 10 lbs.

Lumens	Watts
1,000	9
1,500	12.5
2,000	17.5
2,700	22.5
3,800	34
4,500	39.5
6,000	55
7,500	71

Mounting

- **Canopy:** Two styles to choose from in any color.
- **Cord:** 10 feet clear silver cord, sized at time of installation.
- **Junction Box:** Cover plate supplied to allow mounting to industry standard 4 inch box.

Electrical

- **Dimming:** 0-10V dimmable
- **Input Voltage:** 120V - 277V
- **Frequency:** 50/60Hz
- **Power Factor:** 0.9

Labels

cULus Listed, 5 year warranty
IP20, RoHS, & IK02
Declare. LBC Red List Approved.

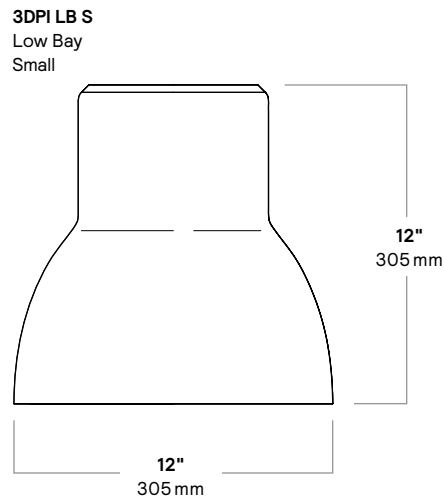
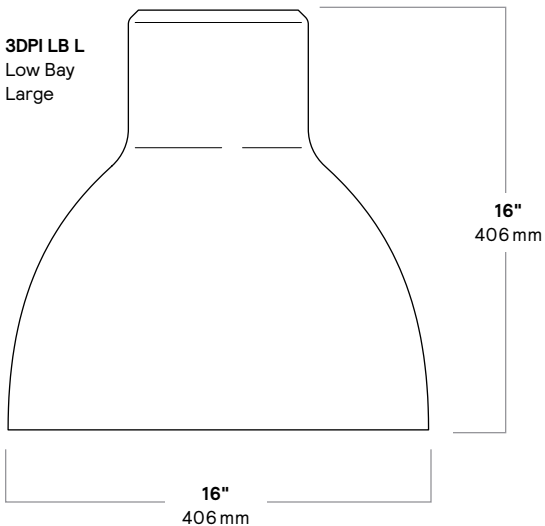
Buy American Act of 1933 (BAA)

This product is manufactured in one of our US factories and, as of the date of this document, this product was considered a commercially available off-the-shelf (COTS) item meeting the requirements of the BAA. This BAA designation hereunder does not address (i) the applicability of, or availability of a waiver under, the Trade Agreements Act, or (ii) the "Buy America" domestic content requirements imposed on states, localities, and other non-federal entities as a condition of receiving funds administered by the Department of Transportation or other federal agencies. Prior to ordering, please visit www.signify.com/baa to view a current list of BAA-compliant products to confirm this product's current compliance.

Interact Pro Scalable System

Interact Pro scalable system with its simple wireless offering can make your smart building journey easy and cost effective. This system can help you boost your energy savings, reach your sustainability targets, and enhance occupancy comfort levels immediately from day one. 3D printed luminaires can be integrated into the Interact Pro scalable system using the System Bridge Accessory SBA module or the RFSR10 control module. For more information please visit: <https://www.interact-lighting.com/en-us/what-is-possible/interact-pro/scalable-system>.

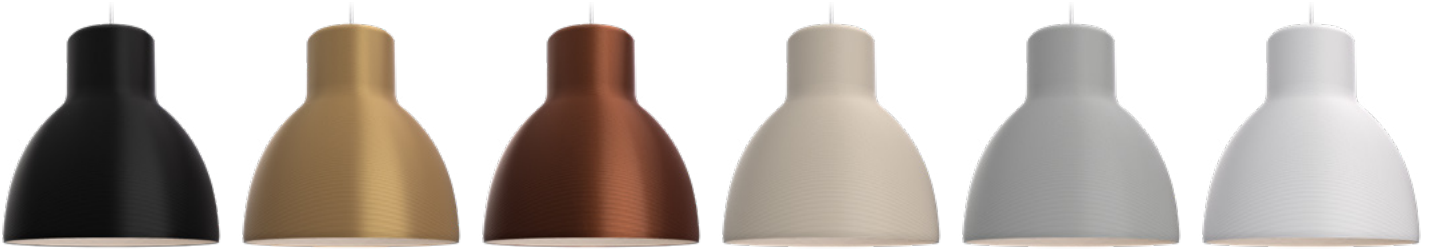
Dimensions



BAL Series

3D Low Bay (large & small)

Outer Color



BKST Black

BSST Brass

BZST Bronze

CAPP Cappuccino

GYST Grey

WHST White

Outer Texture



LF Layered Fine

NL Natural Lines

TC Tufted Coarse

PY Pyramids

HL Horizontal Lines

WO Woven Oval

Inner Color



BKST Black

BSST Brass

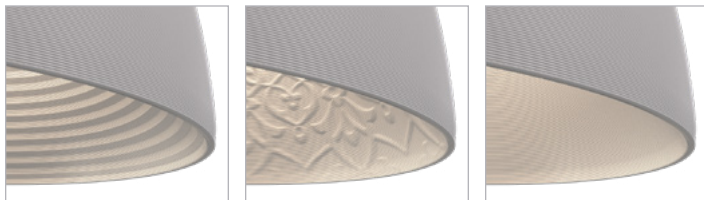
BZST Bronze

CAPP Cappuccino

GYST Grey

WHHR Glossy White

Inner Texture



BR Baffle

FP Floral

SR Smooth

© 2024 Signify Holding. All rights reserved. The information provided herein is subject to change, without notice. Signify does not give any representation or warranty as to the accuracy or completeness of the information included herein and shall not be liable for any action in reliance thereon. The information presented in this document is not intended as any commercial offer and does not form part of any quotation or contract, unless otherwise agreed by Signify.

GENLYTE
SOLUTIONS
a **signify** business

Signify North America Corp.
400 Crossing Blvd, Suite 600
Bridgewater, NJ 08807
Telephone: 800-555-0050

Signify Canada Ltd.
281 Hillmount Road,
Markham, ON, Canada L6C 2S3
Telephone: 800-668-9008

All trademarks are owned by Signify Holding or their respective owners.