



**Lightolier 3D Printed High Bay, PM Series** offers a big output with a tiny input. Select from our 20,000 or 25,000 lumen Philips LED HID replacement lamps or choose your own lumen levels from a variety of options. Light-weight yet durable polycarbonate construction reduces weight that helps ease handling during installation. Unleash your inner creator and select from a variety of color options to help tailor your design.

Project: \_\_\_\_\_  
 Location: \_\_\_\_\_  
 Cat.No: \_\_\_\_\_  
 Type: \_\_\_\_\_  
 Qty: \_\_\_\_\_  
 Notes: \_\_\_\_\_

### Fixture

example: 3DP HB L CL LF WHGL 200L or 250L NB 840K

Series	Colors	Shade Textures	Top Color	Lumens	Beams	CRI/CCT
<b>3DP HB L</b>						
<b>3DP HB L</b> PM Large Series	<b>Transparent colors</b>  <b>CL</b> Clear <b>BLTP</b> Blue <b>RDTP</b> Red <b>ORTP</b> Fluo Orange <b>YETP</b> Yellow <b>Gntp</b> Lime	<b>TC</b> Tufted Coarse <b>CUST</b> Custom Logo (LF, Layered Fine)	<b>WHGL</b> Glossy White (9003) <b>GYST</b> Satin Grey (9006) <b>DGYS</b> Satin Dark Grey (7043) <b>BKMT</b> Matte Black (9004)	<b>200L</b> 20,000lm <b>250L</b> 25,000lm	<b>NB</b> Narrow (60°) <b>VWB</b> Very Wide (120°)	<b>840K</b> 80CRI / 4000K <b>850K</b> 80CRI / 5000K

**Note:** Different colors, textures and custom logo options are available upon request.

### Features

- Customizable:** choose from a wide variety of colors, textures, and styles to help personalize customer options.
- Sustainable:** 3D Printed products produce less carbon emissions when compared to traditional, conventional luminaires.
- Local production:** Printed & assembled in Littlestown, PA.
- Quick delivery:** Created on demand and shipped in weeks.
- Product Weight:** 5 lbs without lamp / 7 lbs with lamp

### Electrical

- Dimming:** All configurations are dependent on LED Lamps.
- Photometrics:** Dependant on type of lamp used. Check lamp's spec sheet for details. For additional lamp photometric files, please view the 3D Printed Tailored Lighting configurator website (linked below).
- Wattage:** 145W for 20,000lm, 165W for 25,000lm for Philips HID replacement lamps
- Input Voltage:** 120V - 277V
- Frequency:** 50/60Hz
- Power Factor:** 0.9

### Labels

cULus Listed, 5 year warranty, IP20 & RoHS, & IK05

### Buy American Act of 1933 (BAA)

This product is manufactured in one of our US factories and, as of the date of this document, this product was considered a commercially available off-the-shelf (COTS) item meeting the requirements of the BAA. This BAA designation hereunder does not address (i) the applicability of, or availability of a waiver under, the Trade Agreements Act, or (ii) the "Buy America" domestic content requirements imposed on states, localities, and other non-federal entities as a condition of receiving funds administered by the Department of Transportation or other federal agencies. Prior to ordering, please visit [www.signify.com/baa](http://www.signify.com/baa) to view a current list of BAA-compliant products to confirm this product's current compliance.



Unleash your inner creator

To configure your custom 3D printed luminaire, scan this QR Code with your smartphone's camera or visit us at: <https://www.tailored.lighting.philips.com/en/us/PM-Series/>



# PM Series

## 3D High Bay (20,000lm & 25,000lm)

### Colors



CL Clear



BLTP Blue



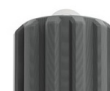
RDTP Red



BKMT Matte Black



DGYS Satin Dark Grey



GYST Satin Grey



WHGL Glossy White



ORTP Fluo Orange

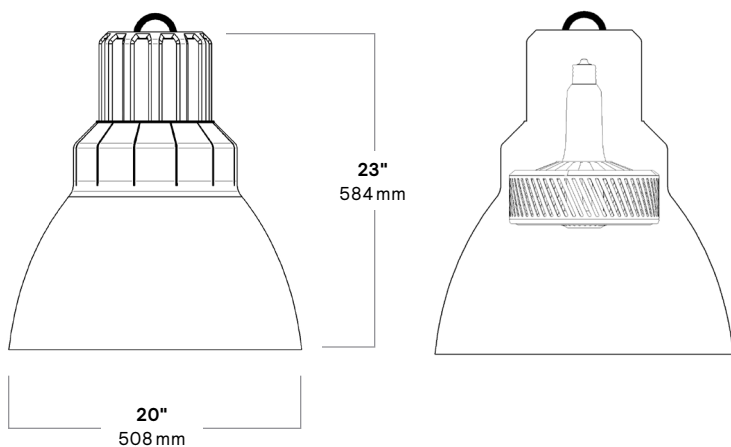


YETP Yellow



GNTP Lime

### Dimensions



© 2022 Signify Holding. All rights reserved. The information provided herein is subject to change, without notice. Signify does not give any representation or warranty as to the accuracy or completeness of the information included herein and shall not be liable for any action in reliance thereon. The information presented in this document is not intended as any commercial offer and does not form part of any quotation or contract, unless otherwise agreed by Signify.

Signify North America Corporation  
400 Crossing Blvd, Suite 600  
Bridgewater, NJ 08807  
Telephone: 855-486-2216

Signify Canada Ltd.  
281 Hillmount Road,  
Markham, ON, Canada L6C 2S3  
Telephone: 800-668-9008

All trademarks are owned by Signify Holding or their respective owners.