



**Lightolier 3D Printed Riverstone pendant** embraces sustainability without compromising on beauty. This special edition pendant is produced with recycled 5-gallon water jugs and creates a cozy atmosphere for any setting. Drawing inspiration from the smooth pebbles and soft flow of river streams, Riverstone's design evokes a sense of peace and tranquility.

Project: \_\_\_\_\_  
 Location: \_\_\_\_\_  
 Cat.No: \_\_\_\_\_  
 Type: \_\_\_\_\_  
 Qty: \_\_\_\_\_  
 Notes: \_\_\_\_\_

### Fixture

Example: 3DP-RS-PB-AQTP-LF-E26-CWH-DI-WHST

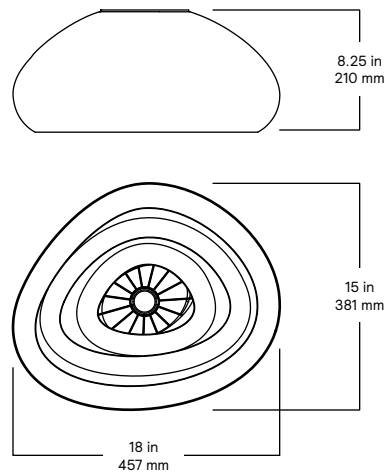
Series	Shape	Colors	Textures	Socket	Mounting	Canopy	Canopy/Stem Color
<b>3DP RS</b>	<b>PB</b>	<b>AQTP</b>	<b>LF</b>	<b>E26</b>	<b>CWH</b>	<b>DI</b>	<b>WHST</b>
3DP RS Riverstone	PB Pebble	AQTP Transparent Aqua	LF Layered Fine	E26 E26 socket	CWH White Cable	DI Disk	WHST Satin White

### Dimensions



PB Pebble

### Dimensions



### Features

- Sustainable:** 3D Printed products produce less carbon emissions when compared to traditional, conventional luminaires.
- Local production:** Printed and assembled in Littlestown, PA.
- Quick delivery:** Created on demand and shipped in weeks.

### Electrical

**Wattage:** 15W  
**Input Voltage:** 120V  
**Frequency:** 50/60Hz (lamp dependent)  
**Power Factor:** 0.9  
**Dimming:** Possibilities are dependent on LED Lamps.

### Labels

cULus listed, 2 year warranty, IP20 & RoHS  
 Declare Red List Approval Pending

